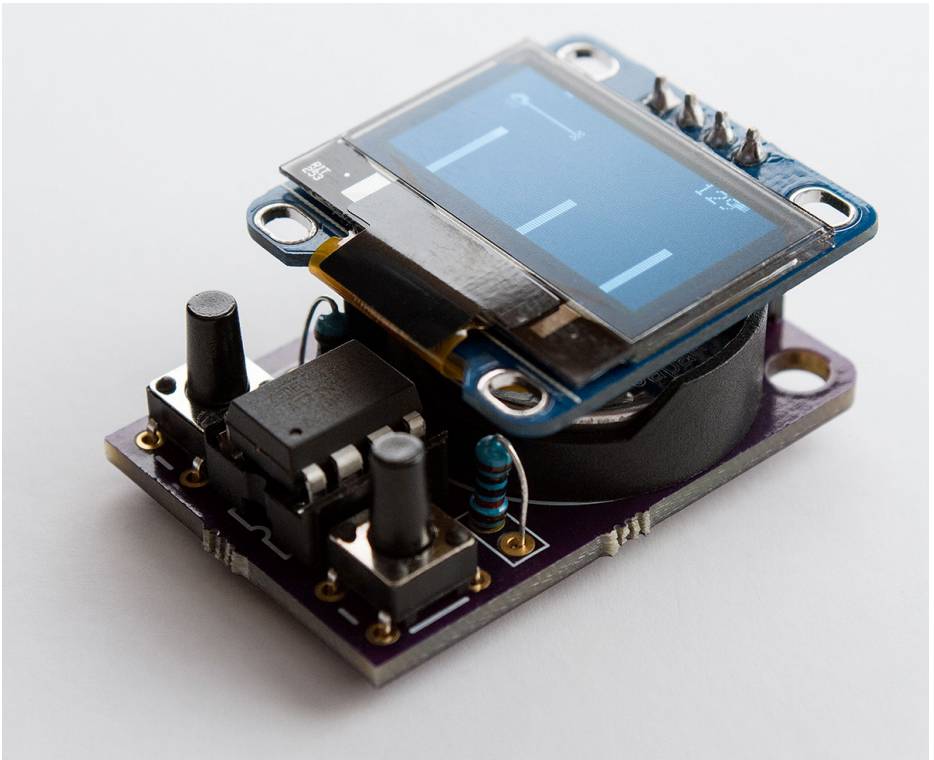
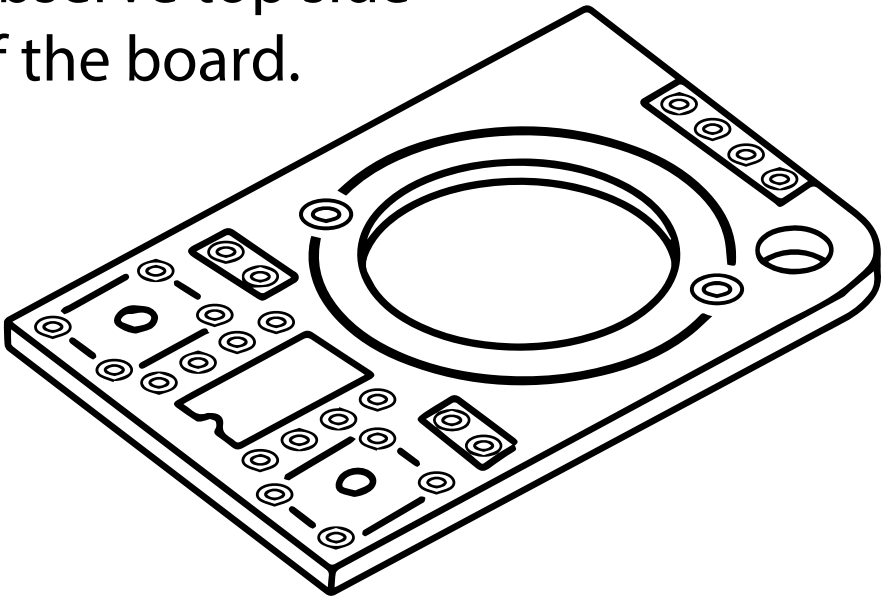


Attiny Arcade Assembly Process

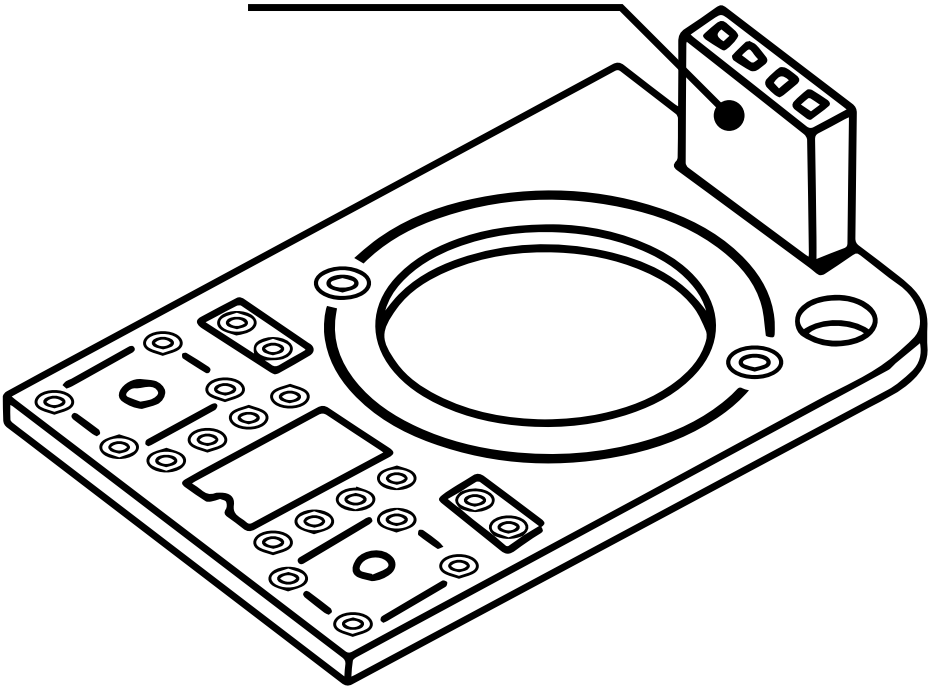
Place the components
as shown and solder them
to the board



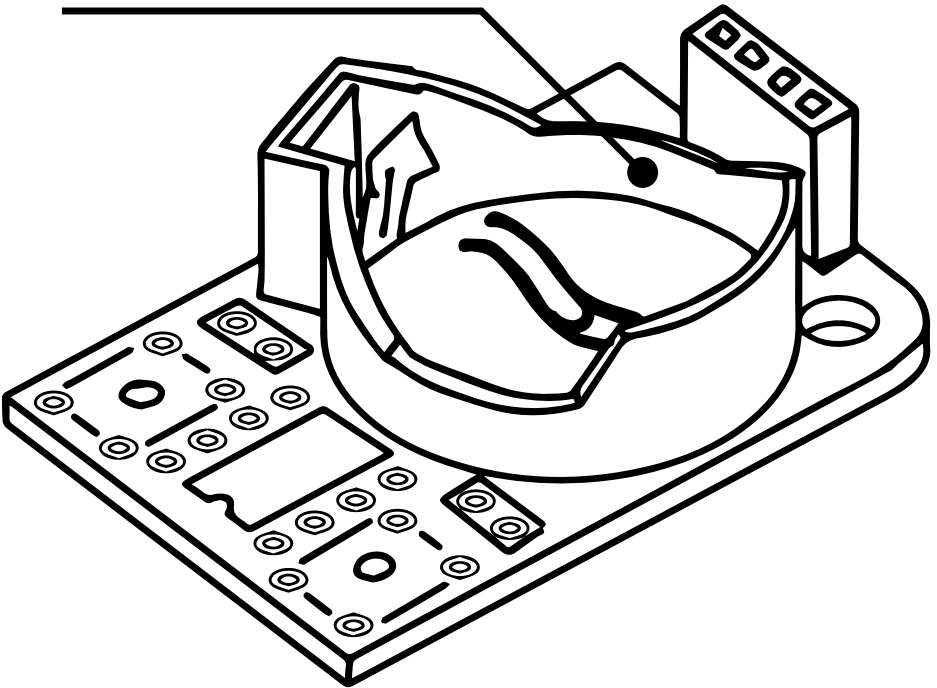
Observe top side
of the board.



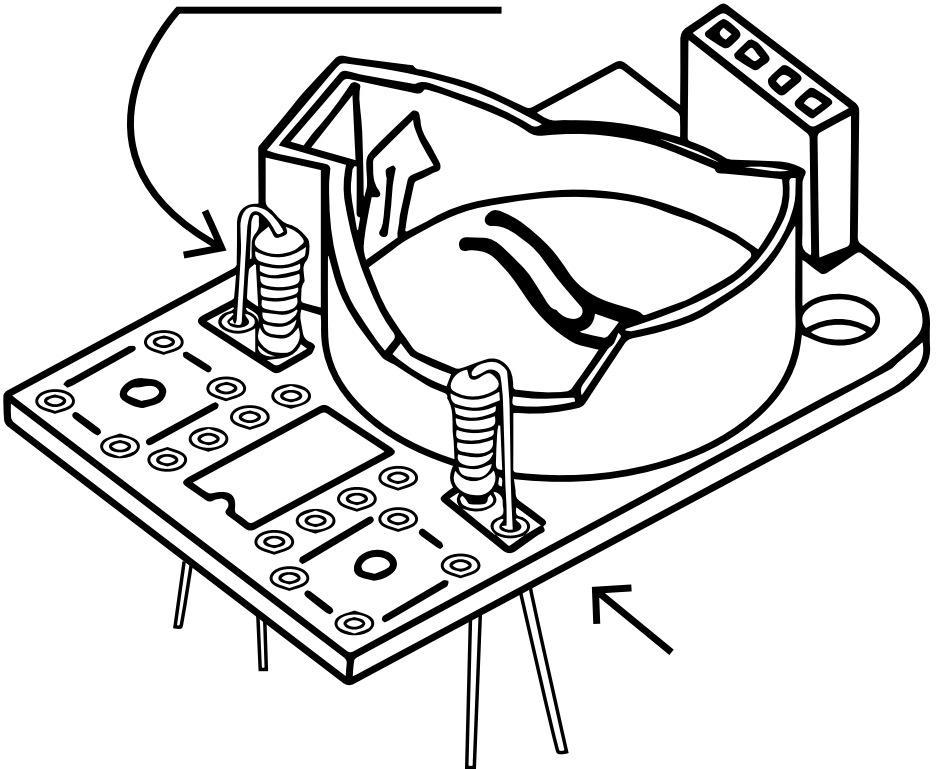
4 pin header



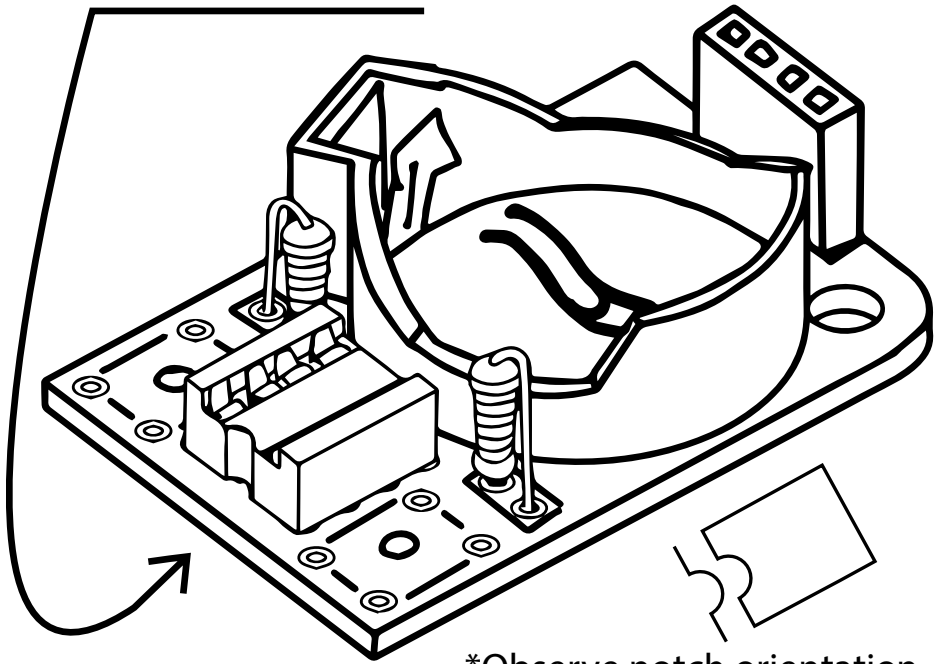
Battery holder



2x resistors

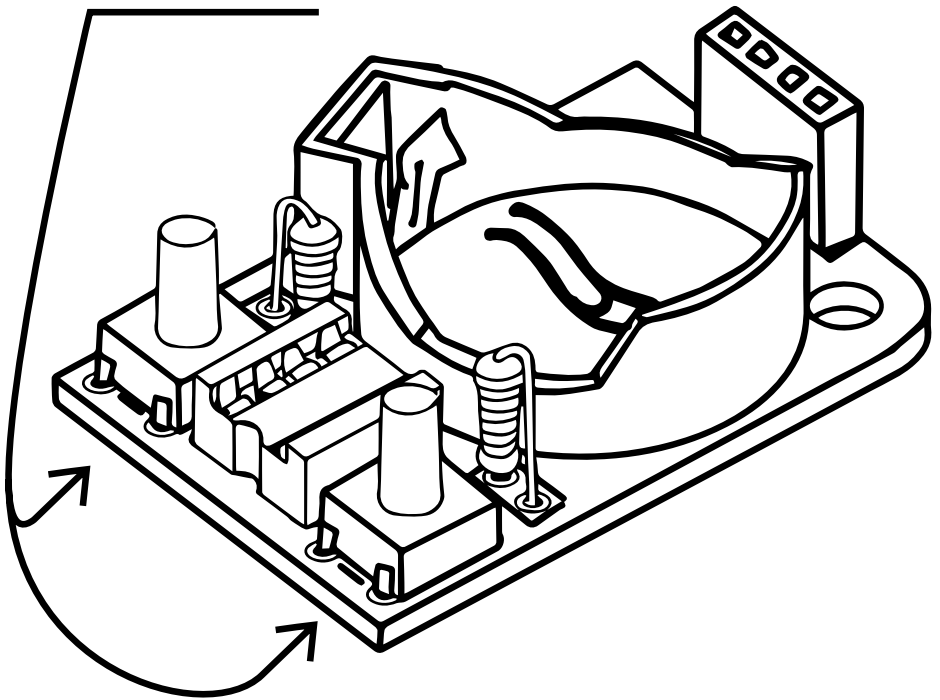


DIP8 socket

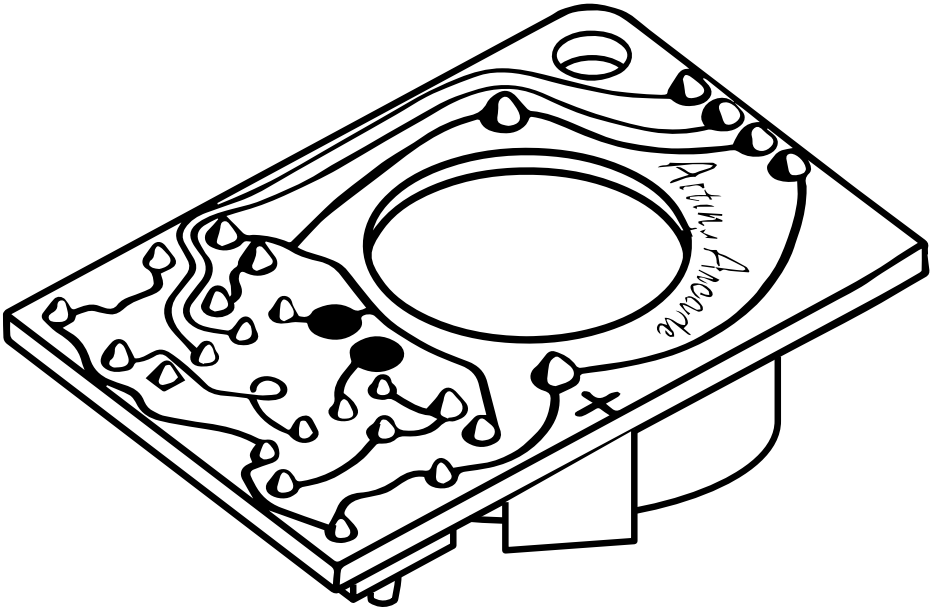


*Observe notch orientation

2x Buttons

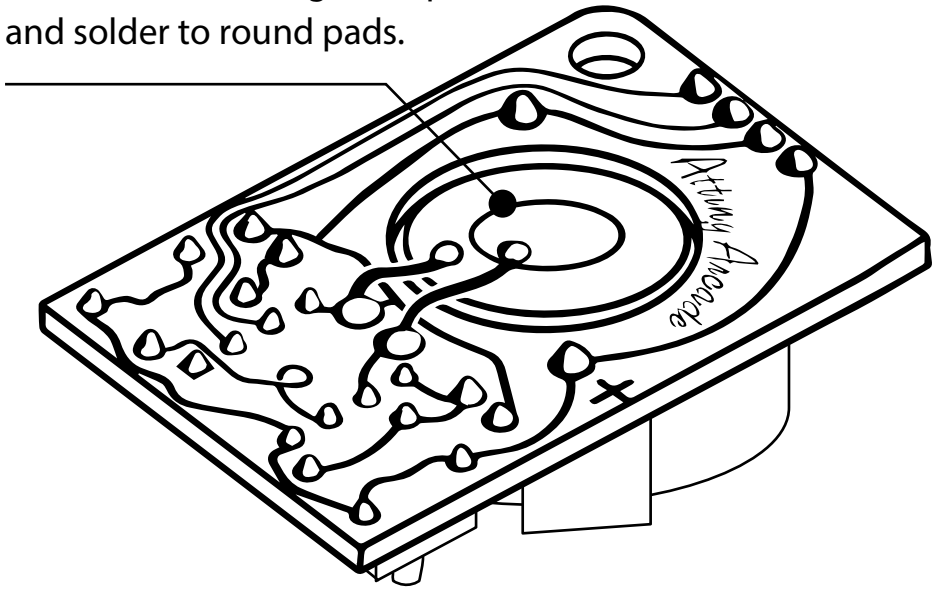


↻ flip the board



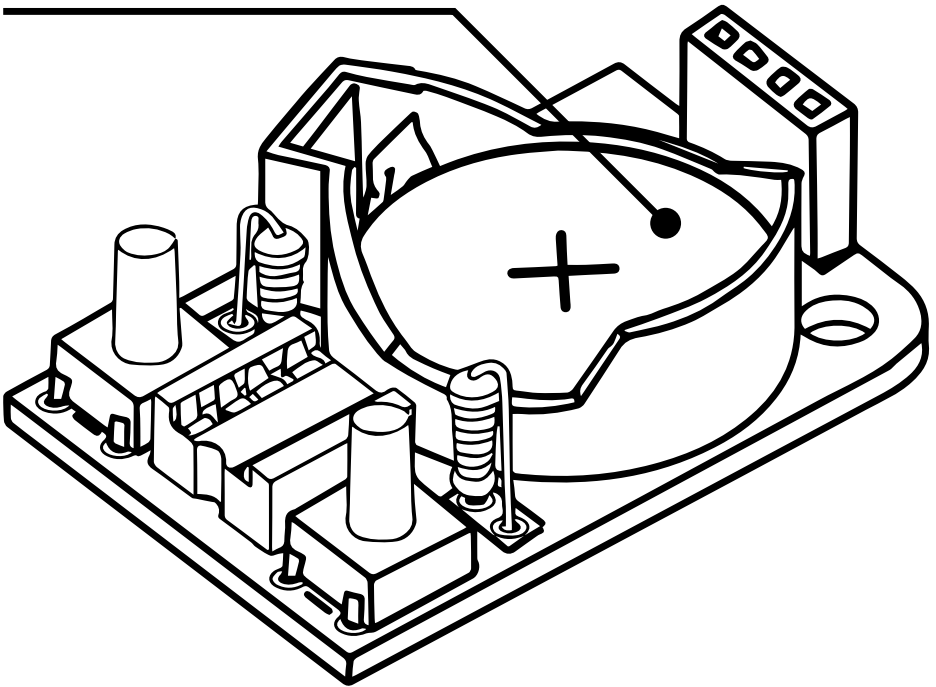
Piezo buzzer

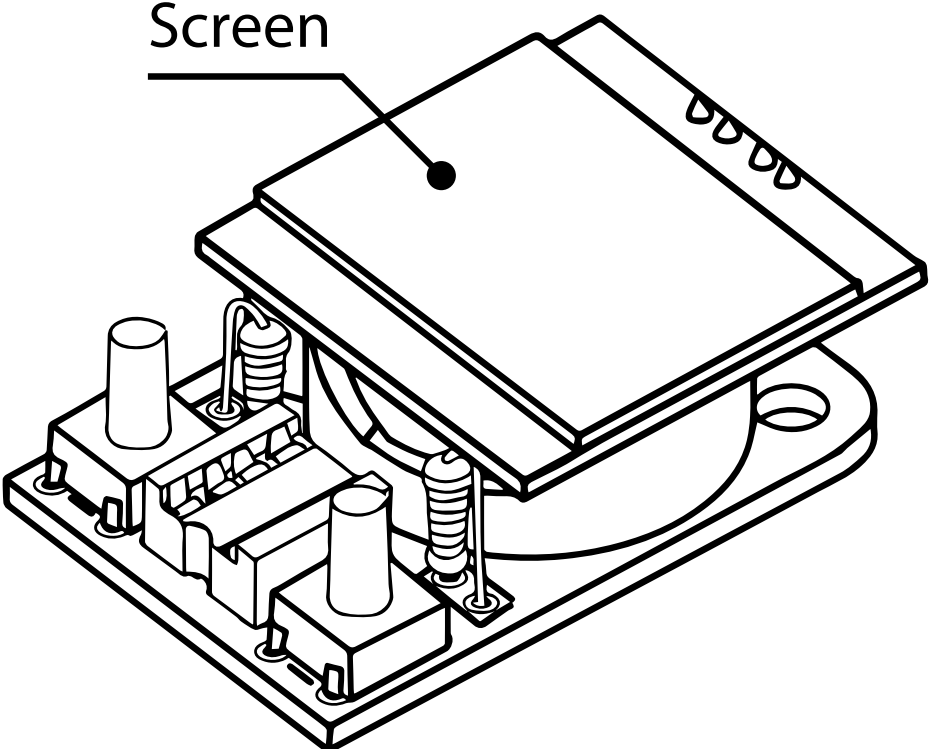
Trim the wire to length, strip 3mm and solder to round pads.

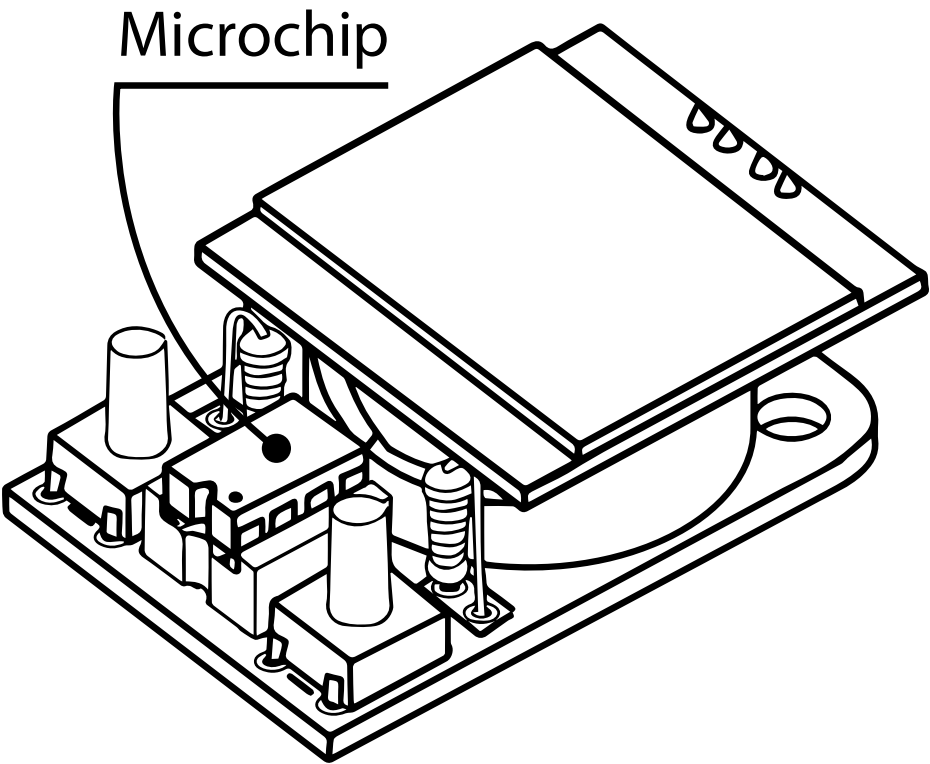


↻ flip the board

Coin cell battery







Attiny Arcade Assembly Process

Press the left button to power up.

For more information visit webboggles.com

Troubleshooting

If you hear sound but the screen doesn't turn on

— remove and reposition screen and battery

No image & no sound

— check connections and make sure to wipe flux residue

— replace battery

— check microchip orientation